

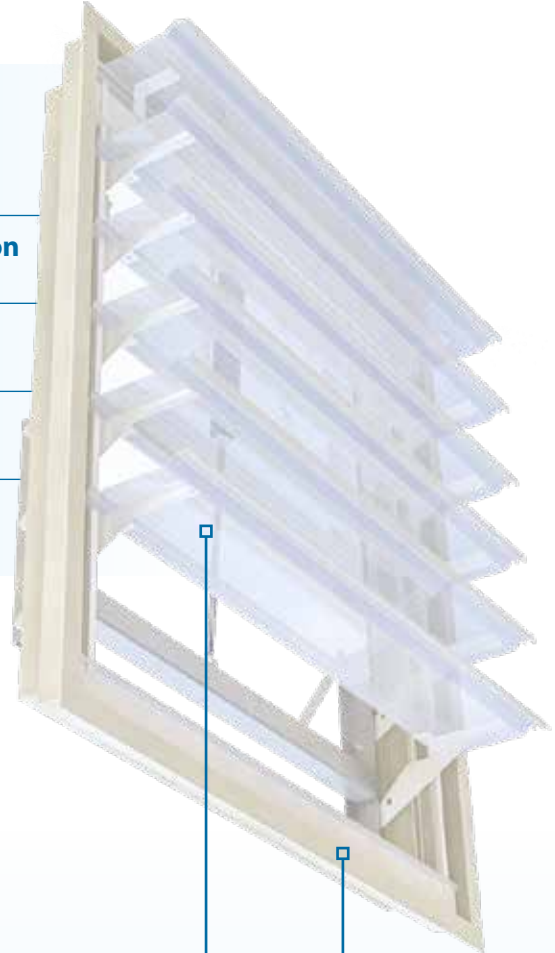


ORIGIN'

ARCAFAÇADE[®] ÉVOLUÉEC

THE ADVANTAGES

- + **Electric smoke evacuation and/or ventilation function**
- + **Low energy consumption: 1.1 A (24 V) cylinder**
- + **Wide range of sizes**
- + **Easy to install**



CONTROL

- Electric opening/closing



GLAZING


- 10 mm opal multi-wall structured polycarbonate, $U_g = 2.7 \text{ W/m}^2 \cdot \text{K}$
- M0 aluminium slat, raw or RAL powder-coated
- Insulated aluminium slat - panel on 2 sides, raw or RAL powder-coated



FRAME

Multiple profiles available to adapt to all types of installations

OPTIONS

Glazing	Control	Frame
<ul style="list-style-type: none"> • Opal IR S.PC 10 • Grey S.PC 10 • Transparent S.PC 10 • S.PC 10 +  	<ul style="list-style-type: none"> • Position contactor • Thermal fuse 	<ul style="list-style-type: none"> • Interior/exterior powder-coating (standard RAL colours)



GLAZING PERFORMANCES

Other glazing: see "Glazing" technical data sheet

Types of glazing	Heat transfer coefficient Ug (W/m ² .K)		TL D65 ⁽²⁾	FS or g ⁽²⁾	Reaction to fire	R_w $R_A = R_w + C$ $R_{A,Tr} = R_w + C_{tr}$ (dB) ⁽³⁾
	U _{hor} ⁽¹⁾	U _{vert} ⁽¹⁾				
Opal 4-wall S.PC 10	2.7	2.5	57%	60%	B,s1,d0	R _w =17 dB
33/2 laminated glass	ND	ND	>85%	ND	M0	ND
Aluminium slat	ND	ND	0%	0%	M0	ND
Insulated aluminium slat	ND	ND	0%	0%	ND	ND

⁽¹⁾ Relative to the horizontal, according to §2.31 of the Th-Bat. rules.

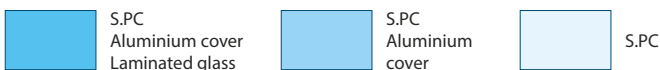
⁽²⁾ Regular light transmission factor TL D65 and total solar transmission factor FS (TST or g) according to EN 410.

⁽³⁾ Glazing insulation to airborne noise R_w, pink noise R_A (neighbourhood, airport and industrial activities) and road noise R_{A,Tr} measured in the laboratory according to NF EN ISO 140.

SIZE RANGE AND CONSUMPTION

Number of slats	Length (cm)	Width (cm)												
		1000	1100	1200	1300	1400	1500	1600	1700	1800	1900	2000	2100	2200
6	1107													
7	1269													
8	1431													
9	1593													
10	1755													
11	1917													
12	2079													
13	2241													
14	2403													
15	2565													
16	2727													
17	2889													
18	3051													

Possible glazings according to size:



Consumption is the same, whatever glazing is used:
4.35 normal litres at 15 bars.

In ventilation mode (site compressed air), a minimum pressure of 7 bars is necessary. In smoke evacuation mode, an operating pressure of 15 bars is necessary.

CONFORMITY AND IMPLEMENTATION

CE-certified natural smoke and heat exhaust ventilator system compliant with standard **NF EN 12101-2 (product certification no. 0333 CPR 219066)**.

Fastening and sealing must comply with the requirements set out in French legislation (DTU) series 40 and 43 currently in force.

Declaration of Performance available at www.skydome.eu

— GEOMETRIC SURFACE AREAS A_v (m²)

Number of slats	Length (cm)	Width (cm)												
		1000	1100	1200	1300	1400	1500	1600	1700	1800	1900	2000	2100	2200
6	1107	1.11	1.22	1.33	1.44	1.55	1.66	1.77	1.88	1.99	2.10	2.21	2.32	2.44
7	1269	1.27	1.40	1.52	1.65	1.78	1.90	2.03	2.16	2.28	2.41	2.54	2.66	2.79
8	1431	1.43	1.57	1.72	1.86	2.00	2.15	2.29	2.43	2.58	2.72	2.86	3.01	3.15
9	1593	1.59	1.75	1.91	2.07	2.23	2.39	2.55	2.71	2.87	3.03	3.19	3.35	3.50
10	1755	1.76	1.93	2.11	2.28	2.46	2.63	2.81	2.98	3.16	3.33	3.51	3.69	3.86
11	1917	1.92	2.11	2.30	2.49	2.68	2.88	3.07	3.26	3.45	3.64	3.83	4.03	4.22
12	2079	2.08	2.29	2.49	2.70	2.91	3.12	3.33	3.53	3.74	3.95	4.16	4.37	4.57
13	2241	2.24	2.47	2.69	2.91	3.14	3.36	3.59	3.81	4.03	4.26	4.48	4.71	4.93
14	2403	2.40	2.64	2.88	3.12	3.36	3.60	3.84	4.09	4.33	4.57	4.81	5.05	5.29
15	2565	2.57	2.82	3.08	3.33	3.59	3.85	4.10	4.36	4.62	4.87	5.13	5.39	5.64
16	2727	2.73	3.00	3.27	3.55	3.82	4.09	4.36	4.64	4.91	5.18	5.45	5.73	6.00
17	2889	2.89	3.18	3.47	3.76	4.04	4.33	4.62	4.91	5.20	5.49	5.78	6.07	6.36
18	3051	3.05	3.36	3.66	3.97	4.27	4.58	4.88	5.19	5.49	5.80	6.10	6.41	6.71

— AIRFLOW PERFORMANCES A_a (m²)

Number of slats	Length (cm)	Width (cm)												
		1000	1100	1200	1300	1400	1500	1600	1700	1800	1900	2000	2100	2200
6	1107	0.66	0.73	0.81	0.88	0.95	1.02	1.09	1.16	1.23	1.30	1.37	1.44	1.51
7	1269	0.77	0.85	0.93	1.01	1.09	1.17	1.25	1.34	1.43	1.52	1.60	1.69	1.77
8	1431	0.87	0.96	1.05	1.15	1.24	1.33	1.44	1.54	1.63	1.72	1.82	1.91	2.00
9	1593	0.97	1.07	1.18	1.28	1.39	1.51	1.61	1.72	1.82	1.93	2.03	2.13	2.24
10	1755	1.07	1.19	1.30	1.43	1.55	1.67	1.78	1.90	2.01	2.13	2.24	2.36	2.48
11	1917	1.18	1.30	1.43	1.57	1.70	1.83	1.95	2.08	2.21	2.33	2.46	2.58	2.71
12	2079	1.28	1.42	1.57	1.71	1.85	1.99	2.12	2.26	2.40	2.53	2.67	2.81	2.95
13	2241	1.38	1.53	1.70	1.85	2.00	2.14	2.29	2.44	2.59	2.74	2.89	3.03	3.18
14	2403	1.48	1.67	1.82	1.98	2.14	2.30	2.46	2.62	2.78	2.94	3.10	3.26	3.40
15	2565	1.59	1.78	1.95	2.12	2.29	2.46	2.63	2.80	2.97	3.14	3.31	3.48	3.61
16	2727	1.69	1.90	2.08	2.26	2.44	2.62	2.80	2.98	3.17	3.35	3.53	3.71	3.82
17	2889	1.80	2.01	2.20	2.40	2.59	2.78	2.97	3.16	3.36	3.55	3.74	3.91	4.03
18	3051	1.92	2.13	2.33	2.53	2.74	2.94	3.14	3.35	3.55	3.75	3.96	4.11	4.23

— MOTOR ELECTRICAL PERFORMANCE

Dimensions (cm)	Electric current (amperes)	Electric voltage (volts)
All sizes	1.1	24

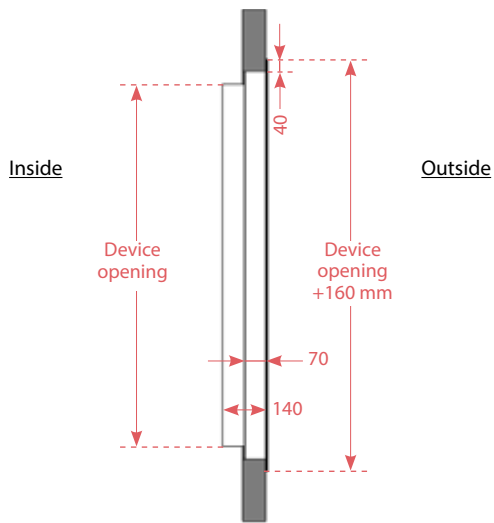
If the ARCAFAÇADE ÉVOLUÉLEC is only used for electrical ventilation, the system can be fitted with a 230 V electric cylinder.



FRAME TYPES

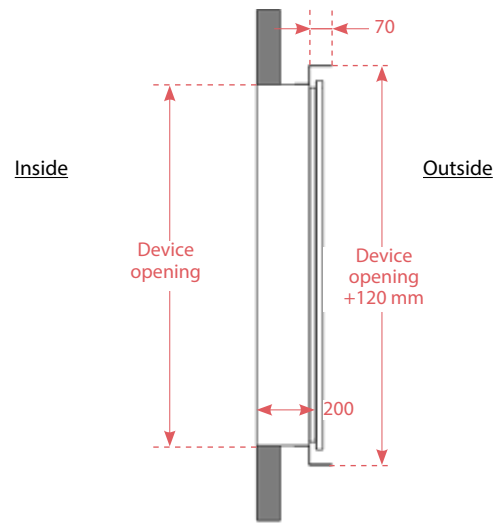
FAÇADE INSTALLATION

Type SM

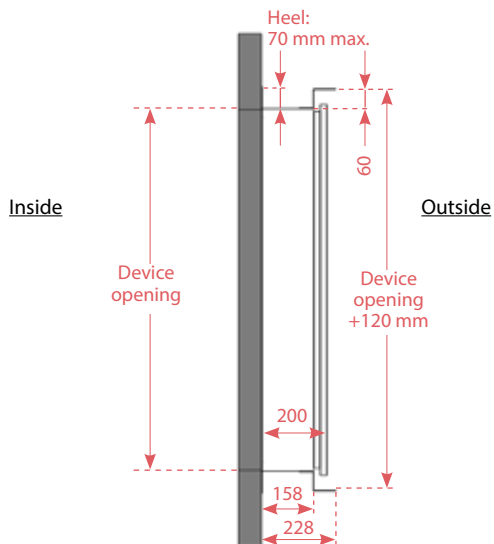


Type FE

= Type WA with no heel

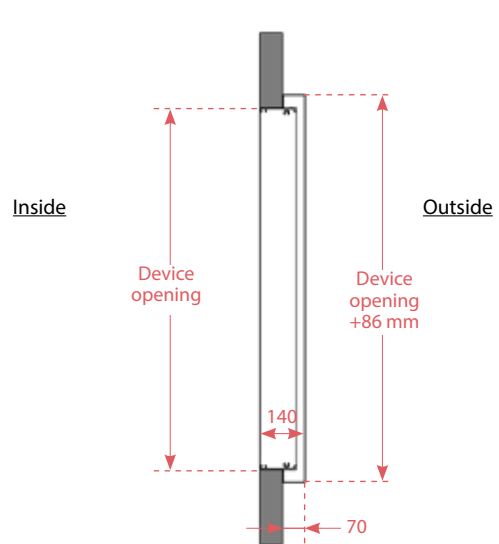


Type WA



Type T

= Type SM with no flashing



Ref: 2018.10.ARCAFAÇADE ÉVOLUÉLEC - 10/2018 - Document is not contractual, photos are not contractual.
Photo credits: Fotolia, JF Chapuis, X. The manufacturer reserves the right to change the characteristics of its devices at any time and with no prior notice. - SKYDÔME: +33 (0)3 23 21 79 90